



VEHICLE TYPE

EATON

TRANSMISSION TYPE

FS-5406 N / FS-6406 N

Kozmaksan EATON Power Take OFFs designed for Hino series main transmissions. Kozmaksan EATON PTOs has Single output model, Side Mounting type option and available for UNI&ISO mounting housing or suitable for flange connections.

Applications;

- Garbage Truck
- Crane Truck
- Dump Truck

FULLER

PNEUMATIC

RIGHT SIDE

EAT.03.5106.H

Product Code

Transmission

FS-5406 N / FS-6406 N

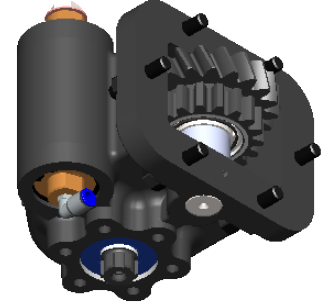
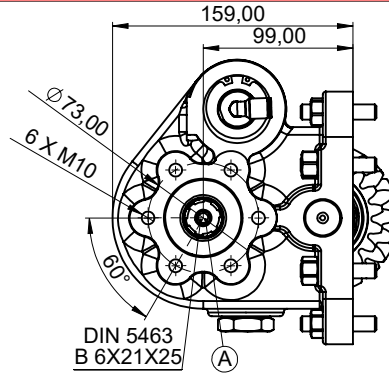
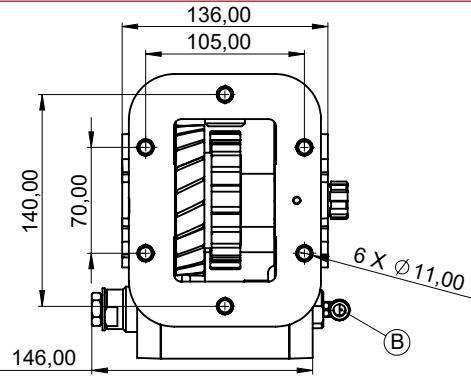
00

22.10.2019

2/3

Rev. Date

UNI OUTPUT



A DIN 5463 6X21X25 UNI 3 BOLT MOUNTING

B AIR INPUT R 1/8"

UNI OUTPUT

Power(kW)@1000 RPM

23

Max. Torque (Nm)

220

Weight (Kg)

12

Ratio

1/1,17 ↓

Engine to PTO Ratio

Mounting Type

RIGHT SIDE

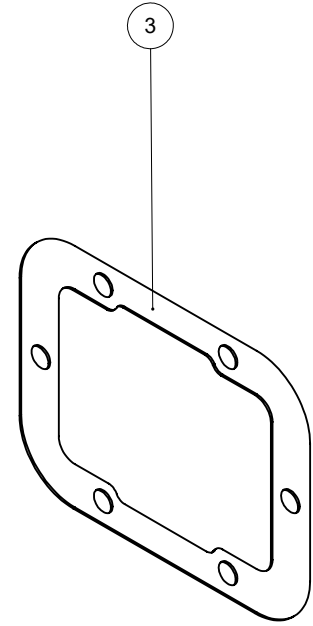
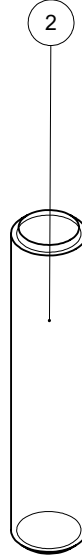
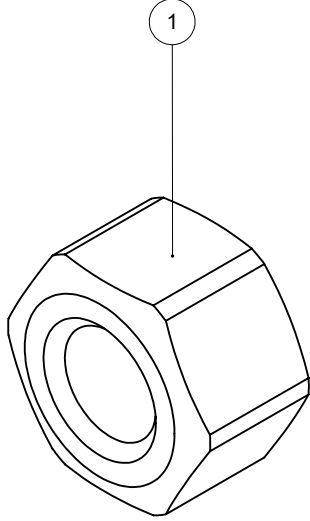
CW (CLOCK WISE)

- Kozmaksan has all rights to change information in this catalogue without announcing it. This document is representing general information. It is not a contract.
 - All information belongs to only PTO/Split Shaft. Do not use PTO/Split Shaft, if it is not suitable for your engine and main transmission.
 - Pumps, shafts and other parts should not be longer or heavier than approved distance and weight by the manufacturer of main transmission and engine.

KozmaksanPTO

kozmaksanpto

kozmaksan-hydraulics-pt



No	CODE	DESCRIPTION			
1	T08-053	M10x1,50 NUT 6 PCS			
2	T07-017	M10X50 STUD 8 PCS			
3	T04-019	GASKET (1mm)			
3	T04-019-1	GASKET (0,5mm)			
3	T04-019-2	GASKET (0,3mm)			

- Kozmaksan has all rights to change information in this catalogue without announcing it. This document is representing general information. It is not a contract.
- All information belongs to only PTO/Split Shaft. Do not use PTO/Split Shaft, if it is not suitable for your engine and main transmission.
- Pumps, shafts and other parts should not be longer or heavier than approved distance and weight by the manufacturer of main transmission and engine.

KozmaksanPTO



kozmaksanpto



kozmaksan-hydraulics-pto

